

# ALU TERRACE

## ALUMINIUM PROFILE FOR PATIOS

### TWO VERSIONS

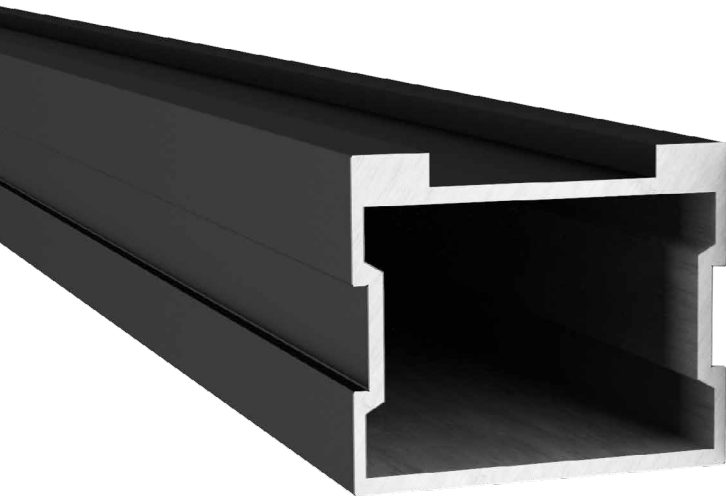
ALUTERRA30 version for standard loads. ALUTERRA50 version, in black, for very high loads; can be used on both sides.

### SUPPORT EVERY 3.6 ft

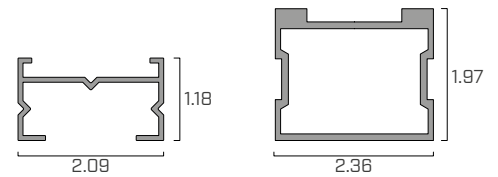
ALUTERRA50 designed with a very high inertia so that the SUPPORTS can be positioned every 3.6 ft (along the profile midline), even with high loads (83 lbf/ft<sup>2</sup>).

### DURABILITY



The substructure made of aluminium profiles guarantees excellent patio durability. The drainage channel allows water to run off and generates effective micro-ventilation.



### SECTIONS [in]



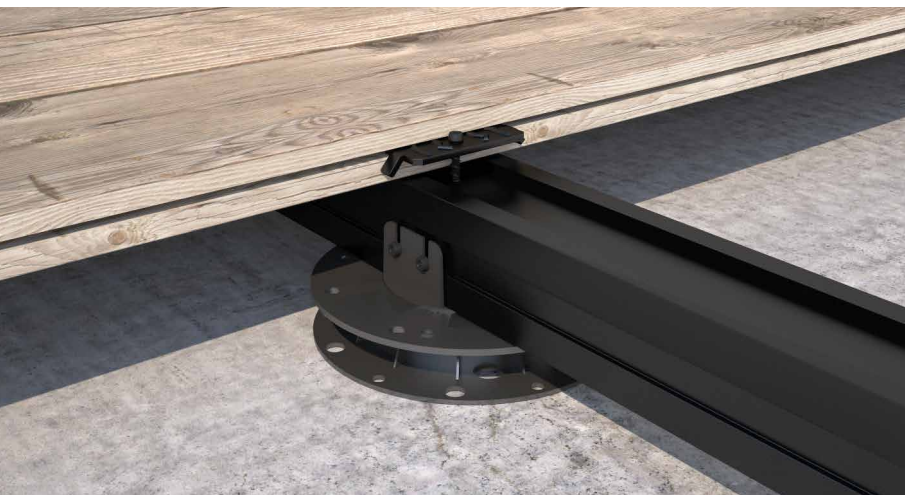
### MATERIAL

- alu** aluminium 
- alu** class 15 anodised aluminium in graphite black 



### FIELDS OF USE

Patio substructure. Outdoor use.



### **DISTANCE 3.6 ft**

With an inter-profile distance of 2.6 ft (load: 83 lbf/ft<sup>2</sup>), the SUPPORTS can be spaced 3.6 ft apart and placed along the ALUTERRACE50 midline.

### **COMPLETE SYSTEM**

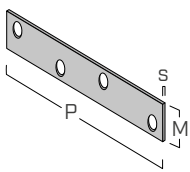
Ideal for use in combination with SUPPORT, fixed laterally with KKA screws. System with excellent durability.



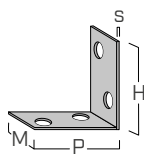
Stabilization of ALUTERRA50 with stainless steel plates and KKA screws.

Aluminium substructure made with ALUTERRA30 and resting on GRANULO PAD

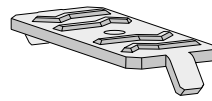
## ACCESSORY CODES AND DIMENSIONS



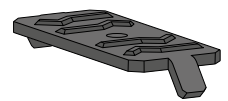
LBVI15100



WHOI1540



FLIP

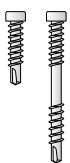


FLAT

CODE	material	s [in]	M [in]	P [in]	H [in]	pcs
LBVI15100	A2   AISI304	0.07	0.56	4.00	-	50
WHOI1540	A2   AISI304	0.07	0.56	1.56	1.56	50

CODE	material	pcs
FLAT	black alluminum	200
FLIP	zinc-plated steel	200

### KKA AISI410



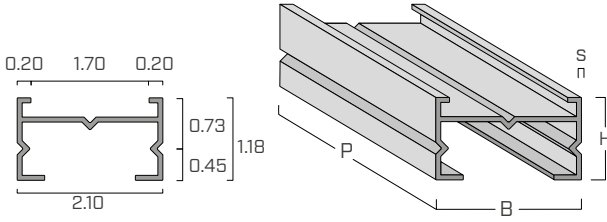
d <sub>1</sub> [mm] [in]	CODE	L [mm]	pcs
4 0.16 #7 TX 20	KKA420	43	1 11/16 200
5 0.20 #11 TX 20	KKA540	60	2 3/8 100
	KKA550	80	3 1/8 100

### KKA COLOR

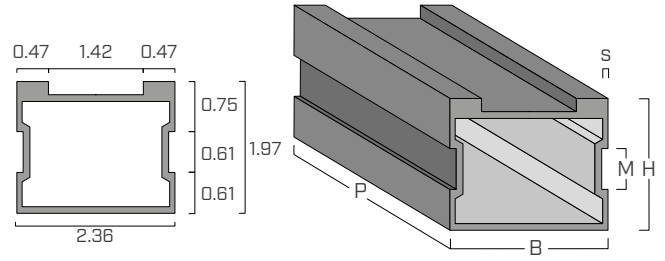


d <sub>1</sub> [mm] [in]	CODE	L [mm]	pcs
4 0.16 #7 TX 20	KKAN420	20	13/16 200
	KKAN430	30	1 3/16 200
	KKAN440	40	1 9/16 200
5 0.20 #11 TX 20	KKAN540	40	1 9/16 200

## GEOMETRY



ALU TERRACE 30



ALU TERRACE 50

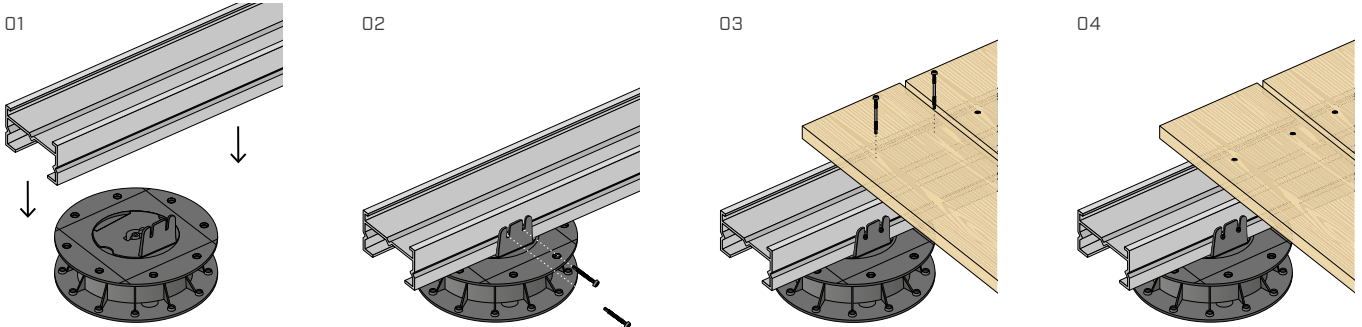
## CODES AND DIMENSIONS

CODE	s	B	P	H	pcs
	[in]	[mm]	[in]	[in]	
ALUTERRA30	0.07	53	2.06	86.63	1

CODE	s	B	P	H	pcs
	[in]	[mm]	[in]	[in]	
ALUTERRA50	0.10	60	2.38	86.63	1

NOTES: upon request, P= 9.8 ft version is available.

## EXAMPLE OF FASTENING WITH SCREWS AND ALUTERRA30



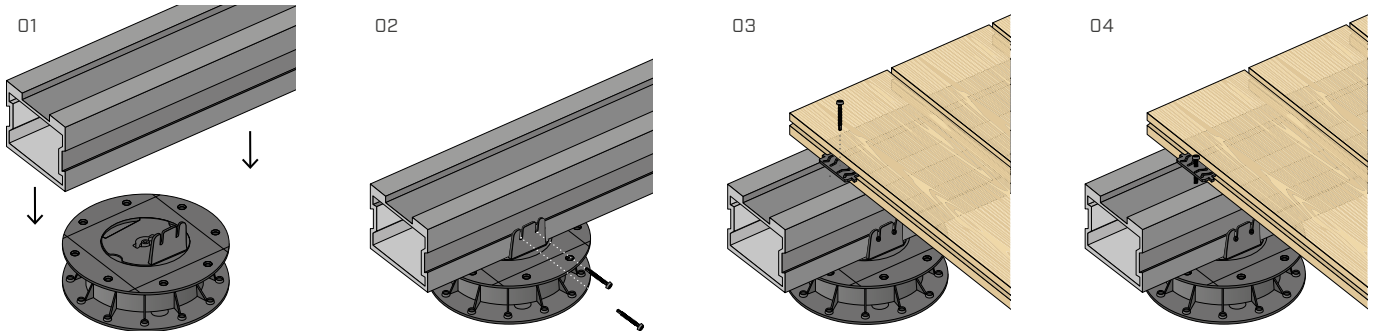
01 Place the ALU TERRACE on the SUP-S fit with head SUPSLHEAD1.

02 Fix the ALU TERRACE with 0.16 inch diameter KKAN.

03 Fix the wooden or WPC boards directly on the ALU TERRACE with 0.20 inch diameter KKA screws.

04 Repeat the operations for the remaining boards.

## EXAMPLE OF FASTENING WITH CLIP AND ALUTERRA50



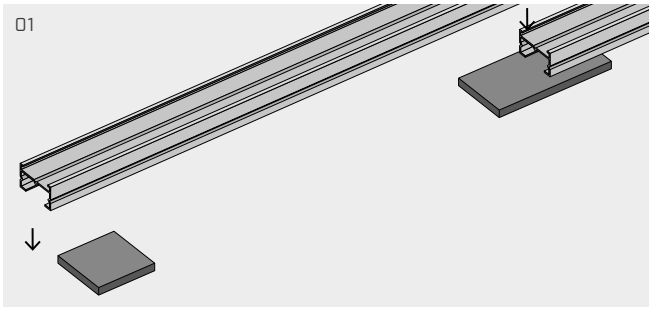
01 Place the ALU TERRACE on the SUP-S fit with head SUPSLHEAD1.

02 Fix the ALU TERRACE with 0.16 inch diameter KKAN.

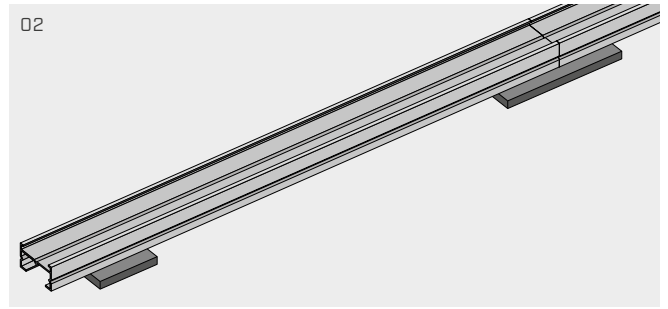
03 Fix the boards using FLAT concealed clips and 0.16 inch diameter KKAN screws.

04 Repeat the operations for the remaining boards.

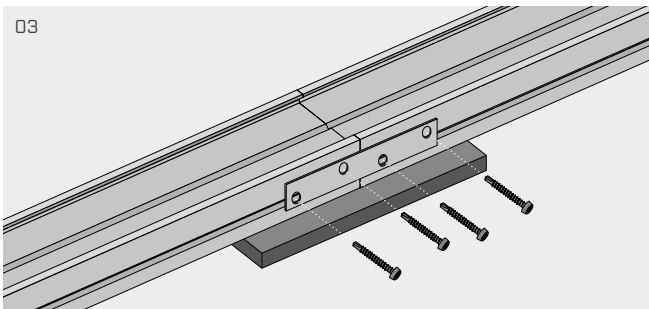
## EXAMPLE PLACEMENT ON GRANULO PAD



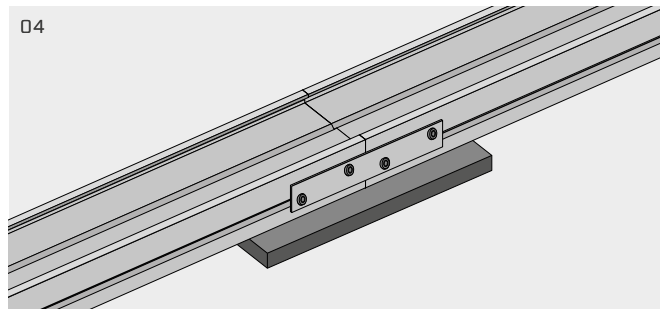
Several ALUTERRA30 units can be connected lengthwise using stainless steel plates. Connection is optional.



Line up the ends of 2 aluminium profiles.

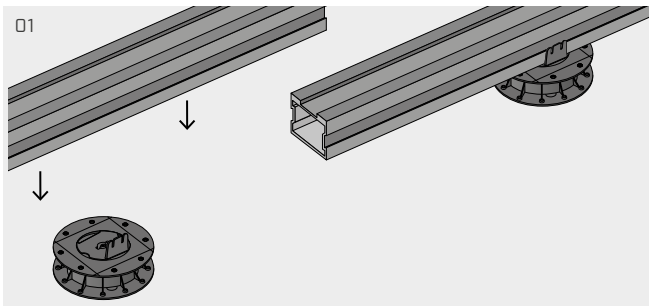


Place the LBVI15100 stainless steel plate on the aluminium profiles and fix with 0.16 x 13/16 inch KKA screws.

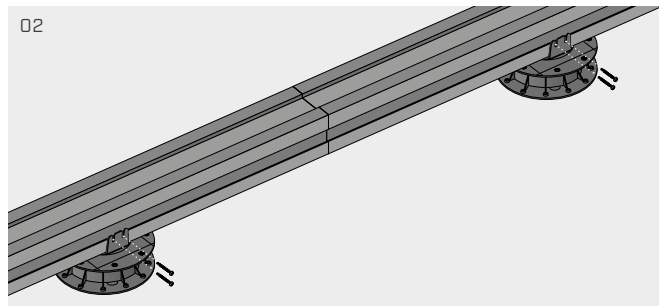


Do this on both sides to maximize stability.

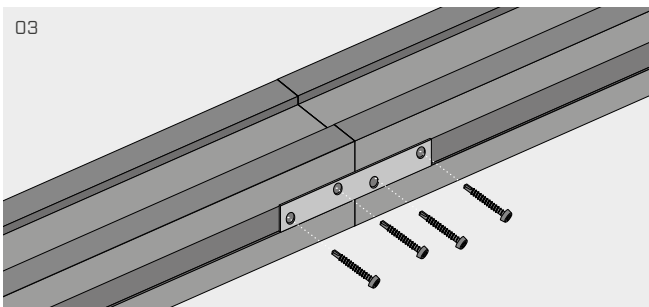
## EXAMPLE PLACEMENT ON SUPPORT



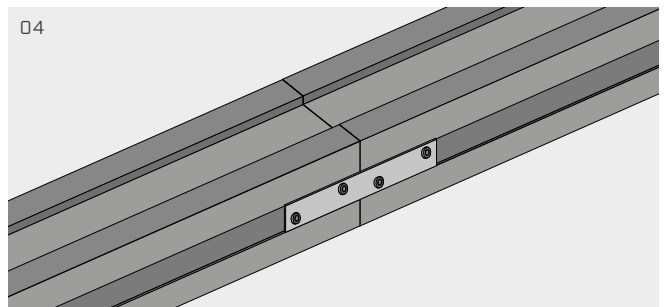
Several ALUTERRA50 units can be connected lengthwise using stainless steel plates. Connection is optional if the joint coincides with placement on the SUPPORT.



Connect the aluminium profiles with KKAN screws (diameter: 0.16 inch) and place 2 aluminium profiles end to end.



Place the LBVI15100 stainless steel plate on the lateral holes in the aluminium profiles and fix with 0.16 x 13/16 inch KKA screws or KKAN 0.16 inch diameter.



Do this on both sides to maximize stability.