

# CONSTRUCTION SEALING

## COMPRESSIBLE SEALING GASKET FOR REGULAR JOINTS

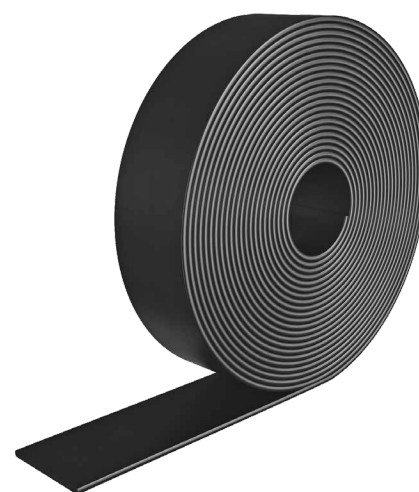


### FIRE RESISTANCE OF JOINTS

In collaboration with the CSI laboratory, the product was used to test the strength of CLT joints sealed with Rothoblaas products.

### NOISE REDUCTION

The acoustic performance was tested in the Flanksound Project by Rothoblaas: using it as a wall isolation gasket provides up to 4 dB of noise reduction.



## TECHNICAL DATA

Properties	standard	value	USC units
Material	-	Expanded and extruded EPDM	-
Thickness	-	3 mm	118 mil
Density $\rho$	ISO 2781	approx. 0,48 g/cm <sup>3</sup>	0.28 oz/in <sup>3</sup>
Compression deformation 22h +23 °C	EN ISO 815	< 25%	-
Compression deformation 22h +40 °C	EN ISO 815	< 35%	-
Fire resistance rating on plain CLT joint (100 mm), 2 mm joint (*)	EN 1363-4	EI 90	-
Correction of $K_{ij}$ in the presence of elastic profile in the joint $\Delta_{i,ij}$ <sup>(1)</sup>	ISO 10848-1	4 dB	-
Storage temperature <sup>(2)</sup>	-	+5/+25 °C	+41/+77 °F
Resistance to temperature	-	-35/+100 °C	- 34/+212 °F
Solvents	-	no	-

<sup>(1)</sup>Measurement performed during the Flanksound Project.

<sup>(2)</sup>Store the product in a dry, covered location.

(\*)For full details and tested configurations, please refer to the manual or contact our technical department.

Waste classification (2014/955/EU): 17 02 03.

## CODES AND DIMENSIONS

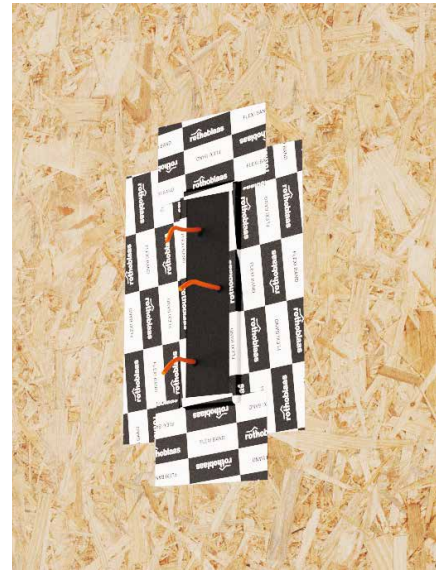
CODE	B	s	L	B	s	L	
	[mm]	[mm]	[m]	[in]	[mil]	[ft]	
CONSTRU4625	46	3	25	1.8	118	82	3



### TESTED RESISTANCE


In Rothoblaas' experimental fire protection project it was tested for an EI value.

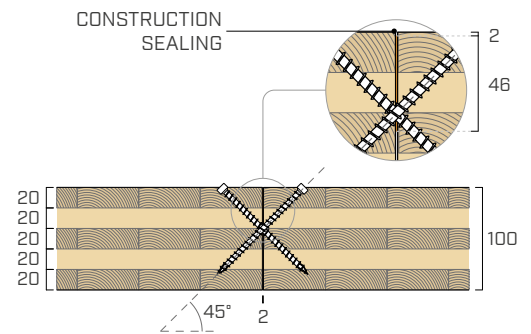
## ■ FIELDS OF APPLICATION



## ✓ FIRE TIGHTNESS AND INSULATION

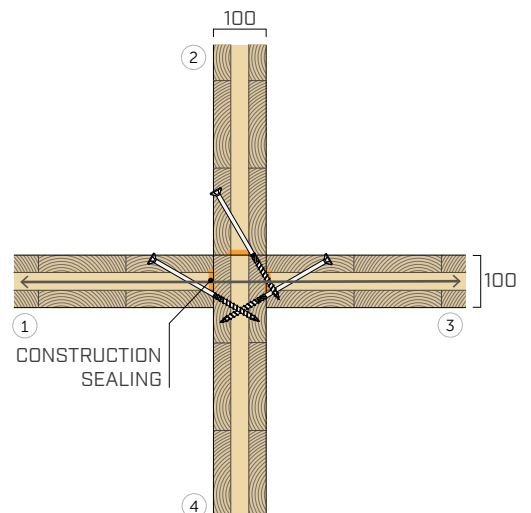
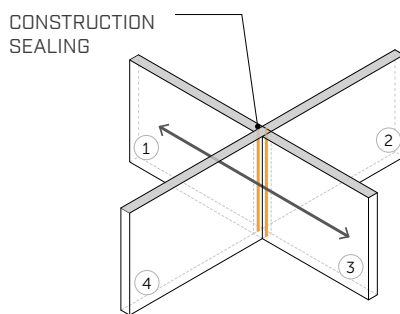
Tests conducted in the CSI laboratory in accordance with EN 1363-4 enabled characterisation of the fire behaviour of various CLT joints sealed with Rothoblaas products.

<b>TIGHTNESS (E)</b>	Cotton swab	<b>&gt; 106 minutes</b>	 <b>EI 90</b>
	Persistent flame		
<b>INSULATION (I)</b>	Time	<b>&gt; 106 minutes</b>	



## ✓ NOISE REDUCTION

During the FLANKSOUND PROJECT, CONSTRUCTION SEALING campaign, it was tested to assess the vibration reduction index  $K_{ij}$  in accordance with EN ISO 10848. The results demonstrated a 4 dB reduction in an exposed CLT wall joint, confirming the product's efficacy.



**Increased vibration reduction index**

$$\Delta_{l,13} = 4 \text{ dB}$$

$$\Delta_{l,13} = K_{13,\text{with}} - K_{13,\text{without}}$$

