
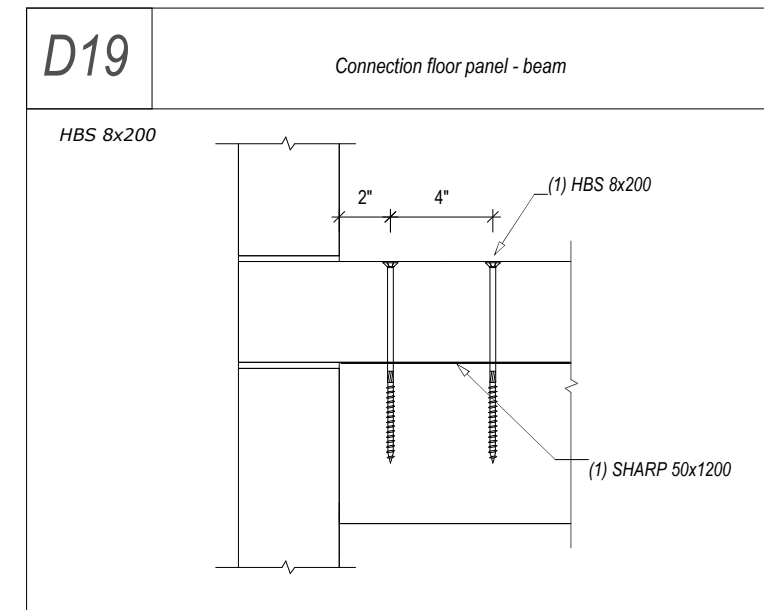
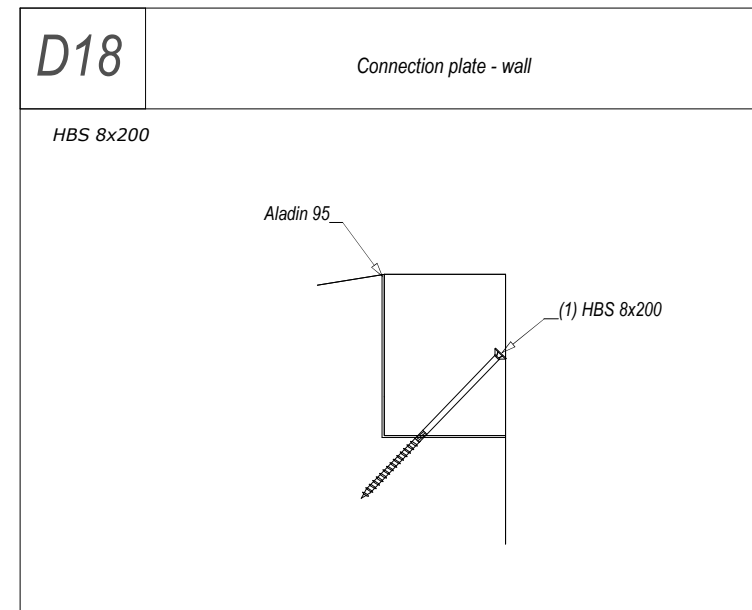
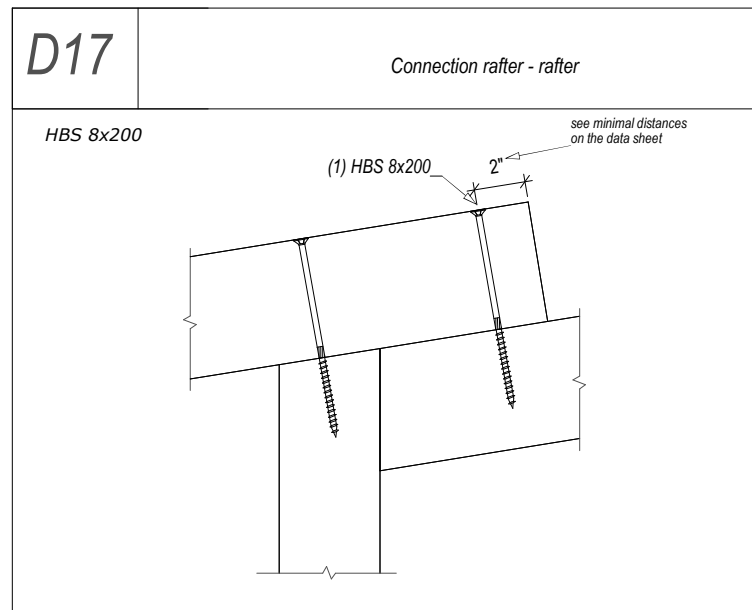
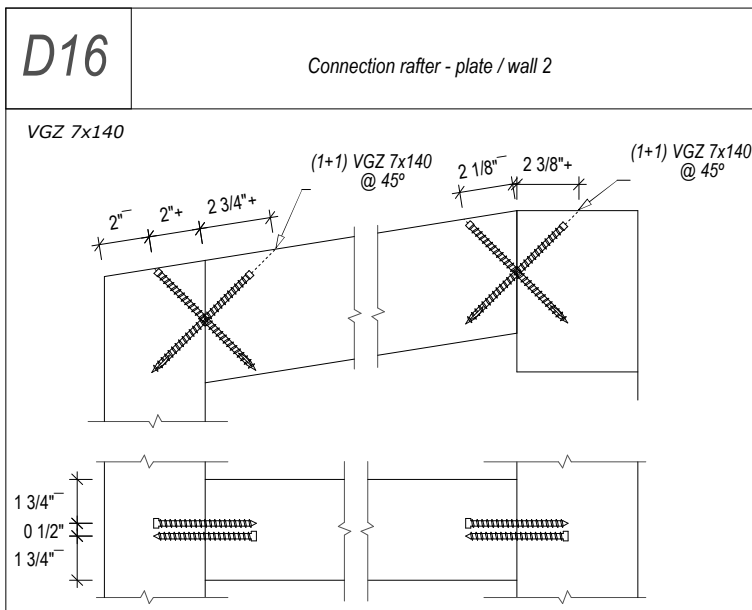
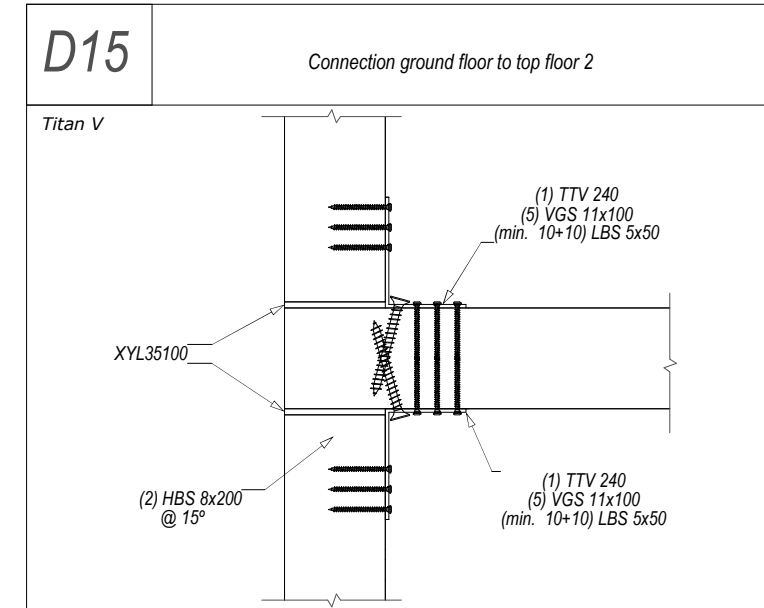
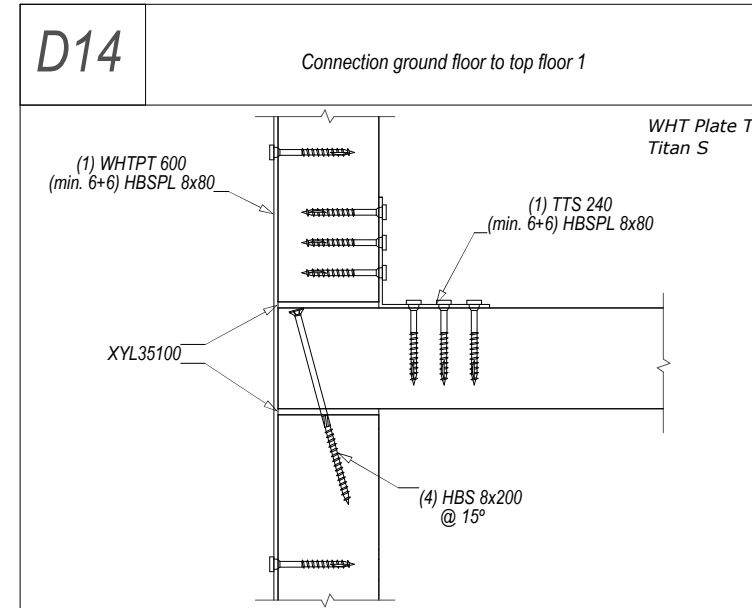
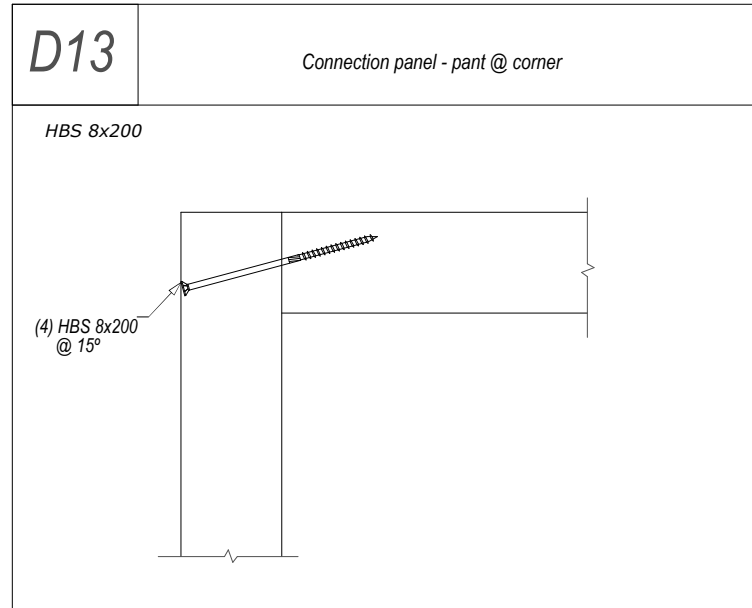
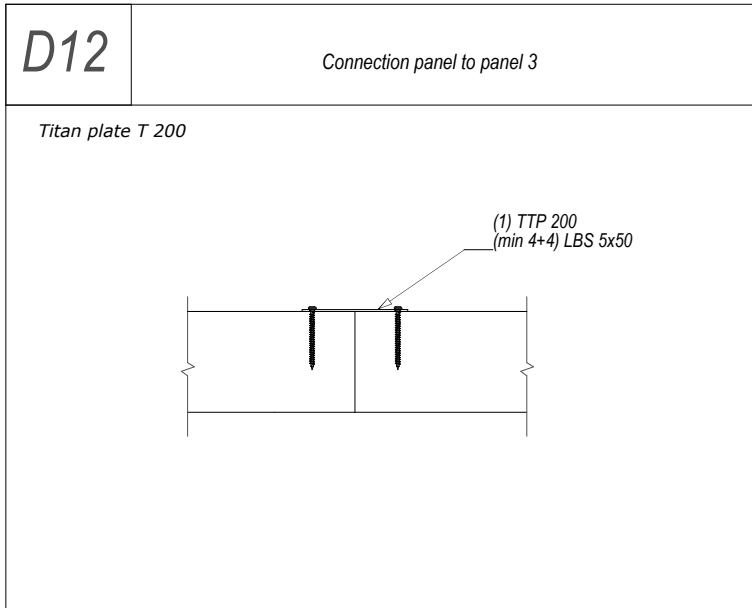
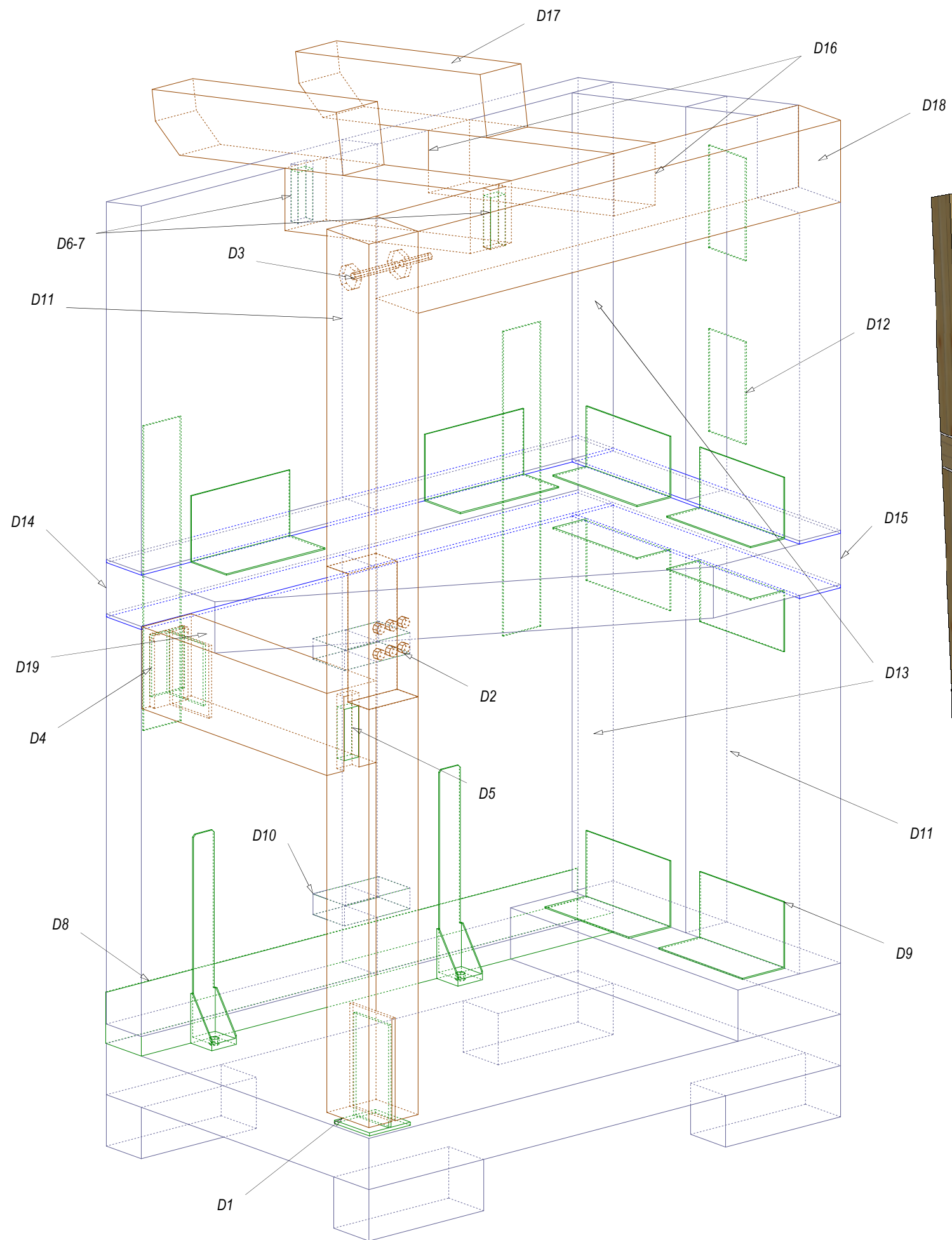


Project: Rothblaas schoolhouse				
Drawing nr.: 006				
Layout name: Assembly - details 1- 11				
0	Issued for Fabrication	18.03.2026	UAZ	29.12.2025
Rev.	Changes / Änderung / Cambiamento	Data	Name	Data
				Scale: 1: 7.5
				Paper size: 11" x 17"
 Solutions for Building Technology				




Project: Rothoblaas schoolhouse					
Drawing nr.: 007					Scale: 1: 7.5
Layout name: Assembly - details 11 -19					Paper size: 11" x 17"
0	Issued for Fabrication	18.03.2026	UAZ	29.12.2025	UAZ
Rev.	Changes / Änderung / Cambiamento	Data	Name	Data	Drawn





3D views

					Project: Rothoblaas schoolhouse	
					Drawing nr.: 008	
					Layout name: Assembly - 3D view	
					Scale: 1: 7.5	
					Paper size: 11" x 17"	
0	Issued for Fabrication	18.03.2026	UAZ	29.12.2025	UAZ	
Rev.	Changes / Änderung / Cambiamento	Data	Name	Data	Drawn	
					 Solutions for Building Technology	